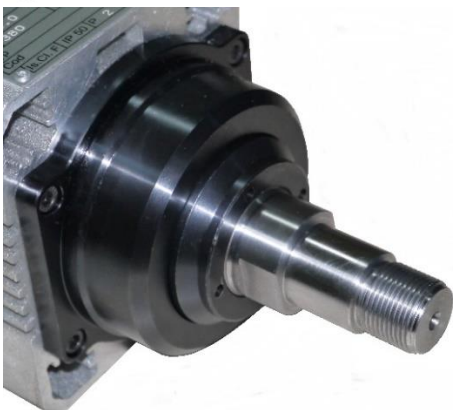
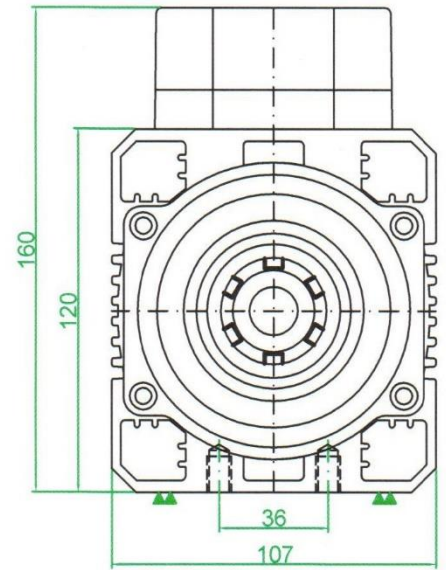
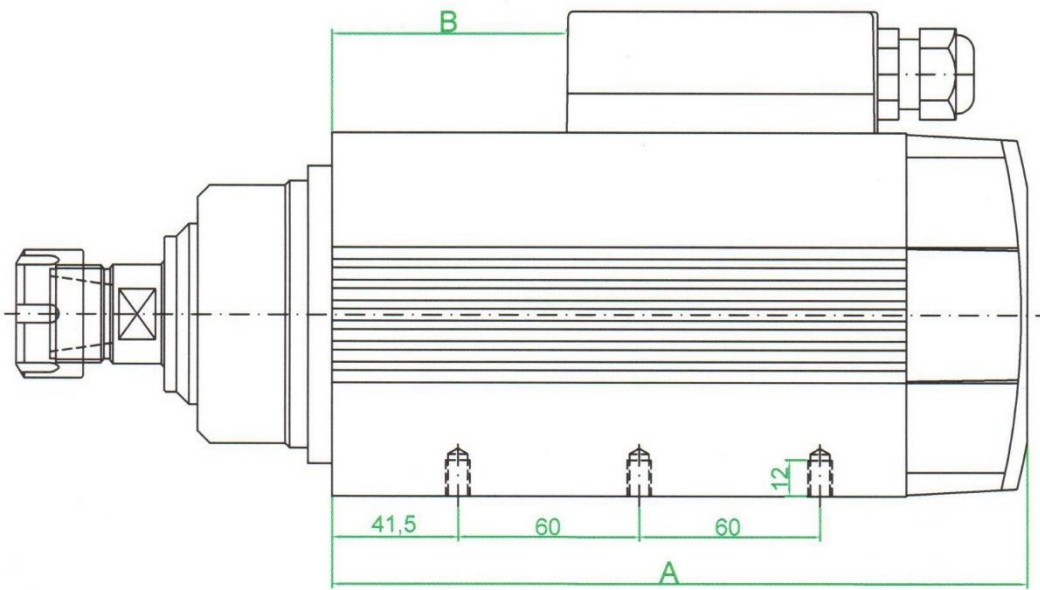


# HM 90

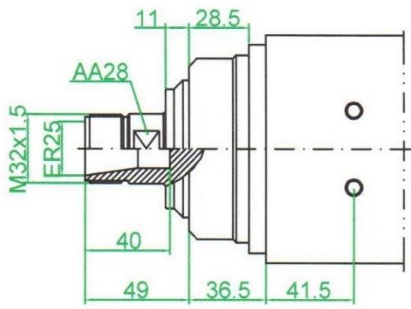
TYPE	Frequency Hz	Speed Rpm	Power Kw	Voltage V	Absorbtion A	Power Fac. Cos $\phi$	Weight Kg
HM90-10	50	3000	0.65	220-380	3.7 - 1.9	0.72	11,4
	100	6000	1.5	220-380	6.4 - 3.6	0.75	
	200	12000	3.5	380	7.7	0.80	
	300	18000	4.0	380	9.0	0.85	
	300	18000	4.5	380	9.6	0.85	
	400	24000	4.5	380	9.6	0.85	
HM90-14	50	3000	1.1	220-380	4.9 - 2.9	0.72	13,3
	100	6000	2.2	220-380	9.5 - 5.5	0.75	
	200	12000	4.5	380	9.5	0.80	
	300	18000	5.5	380	12.0	0.85	
	300	18000	6.0	380	12.4	0.85	
	400	24000	6.0	380	12.4	0.85	
HM90-17	50	3000	1.5	220-380	6.3 - 3.5	0.72	15,0
	100	6000	3.0	380	7.2	0.75	
	200	6000	4.0	380	9.0	0.80	
	200	12000	5.5	380	12.0	0.85	
	300	18000	7.0	380	14.5	0.85	
	400	24000	7.0	380	14.5	0.85	



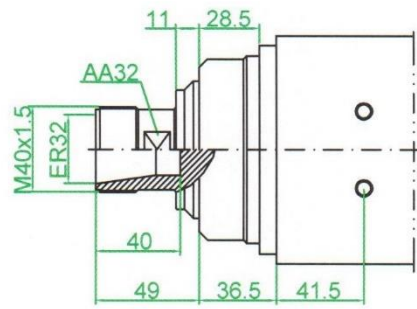
# HM 90 - CKS / CKM



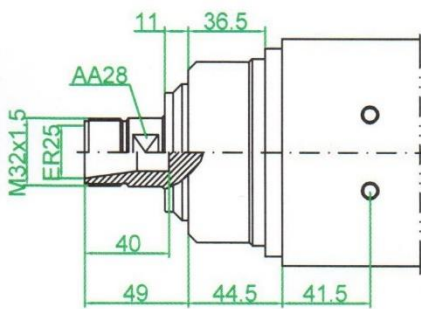
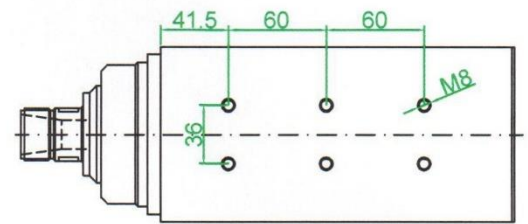
TYPE	A	B
HM90-10	230	77
HM90-14	270	117



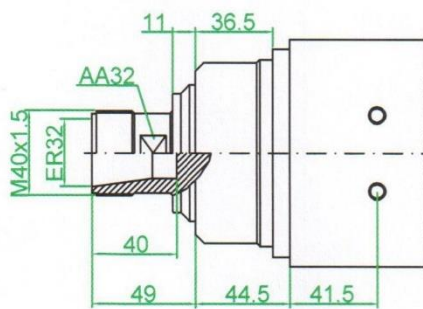
**CKS / ER 25**



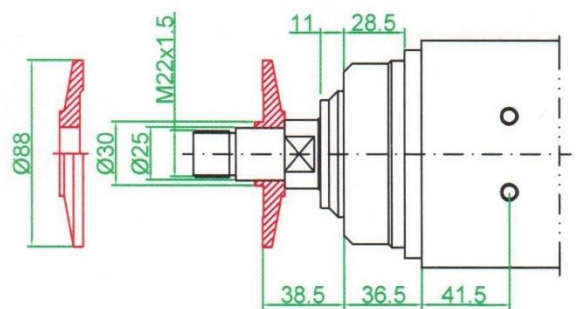
**CKS / ER 32**



**CKM / ER 25**



**CKM / ER 32**



**CKS / FL**